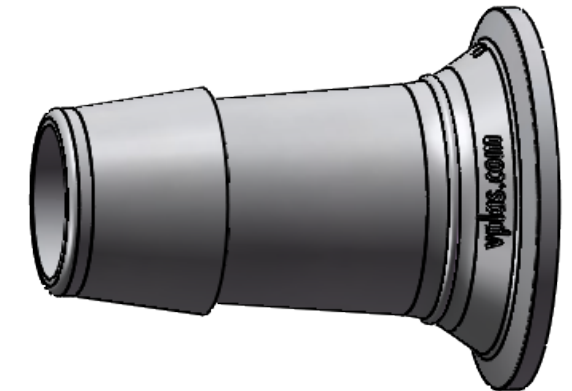
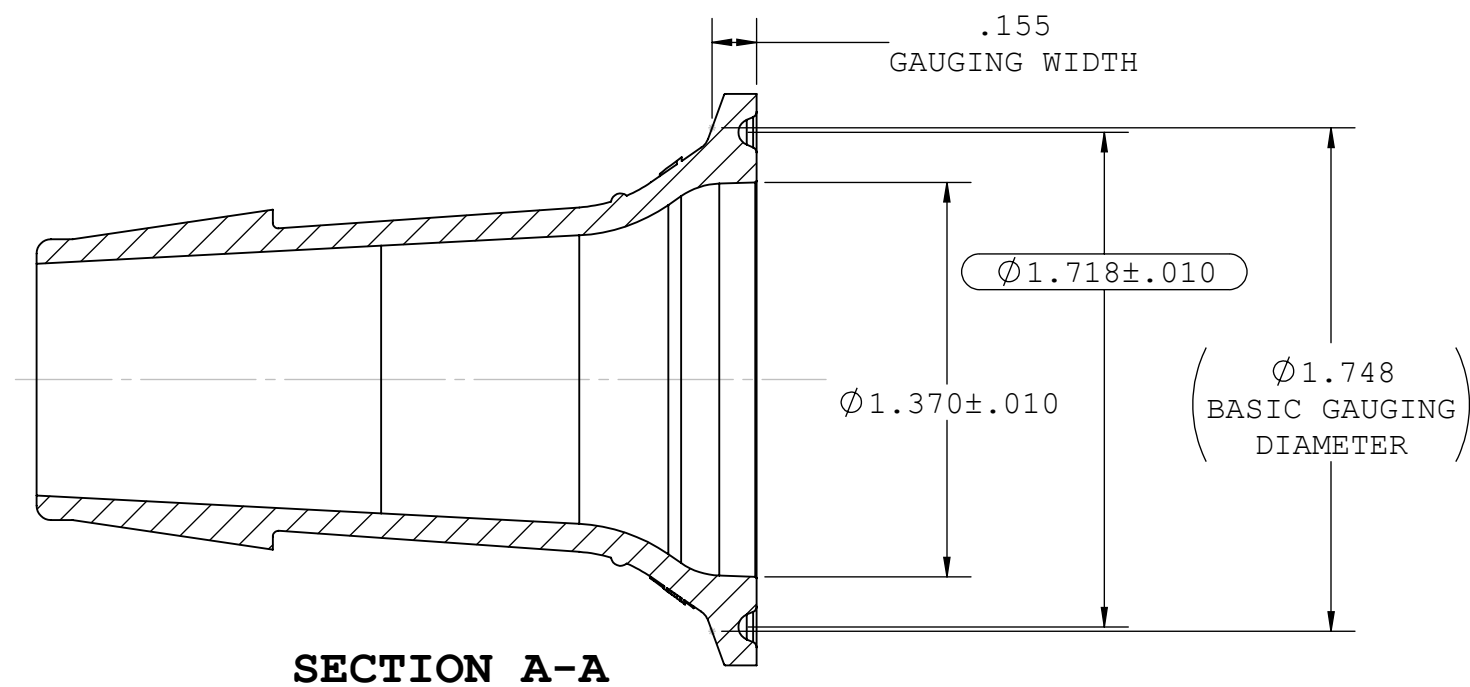
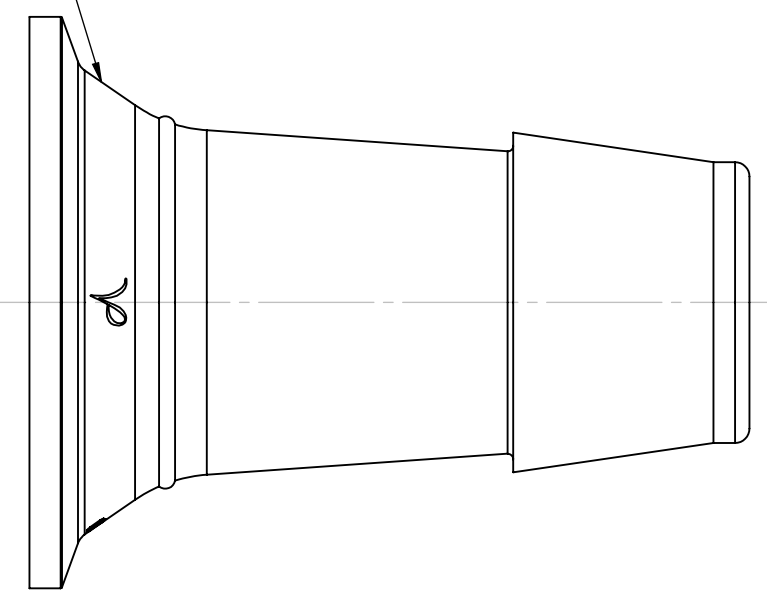
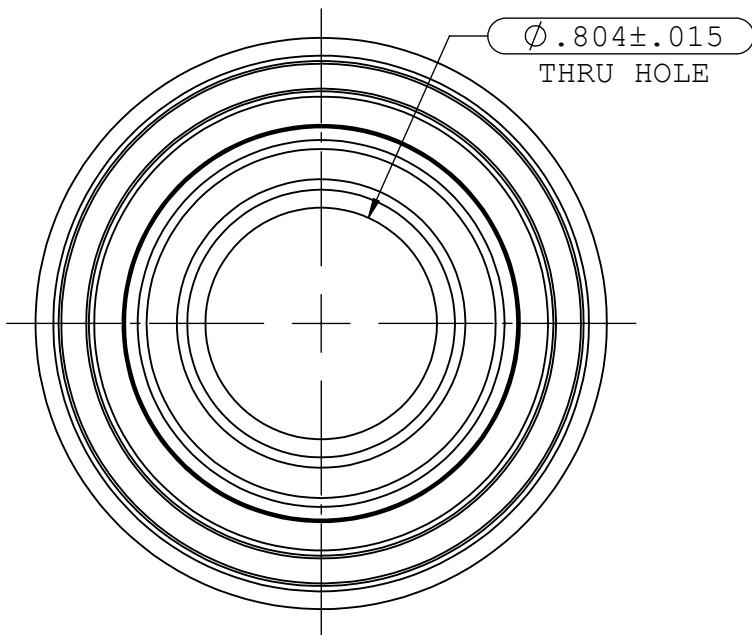
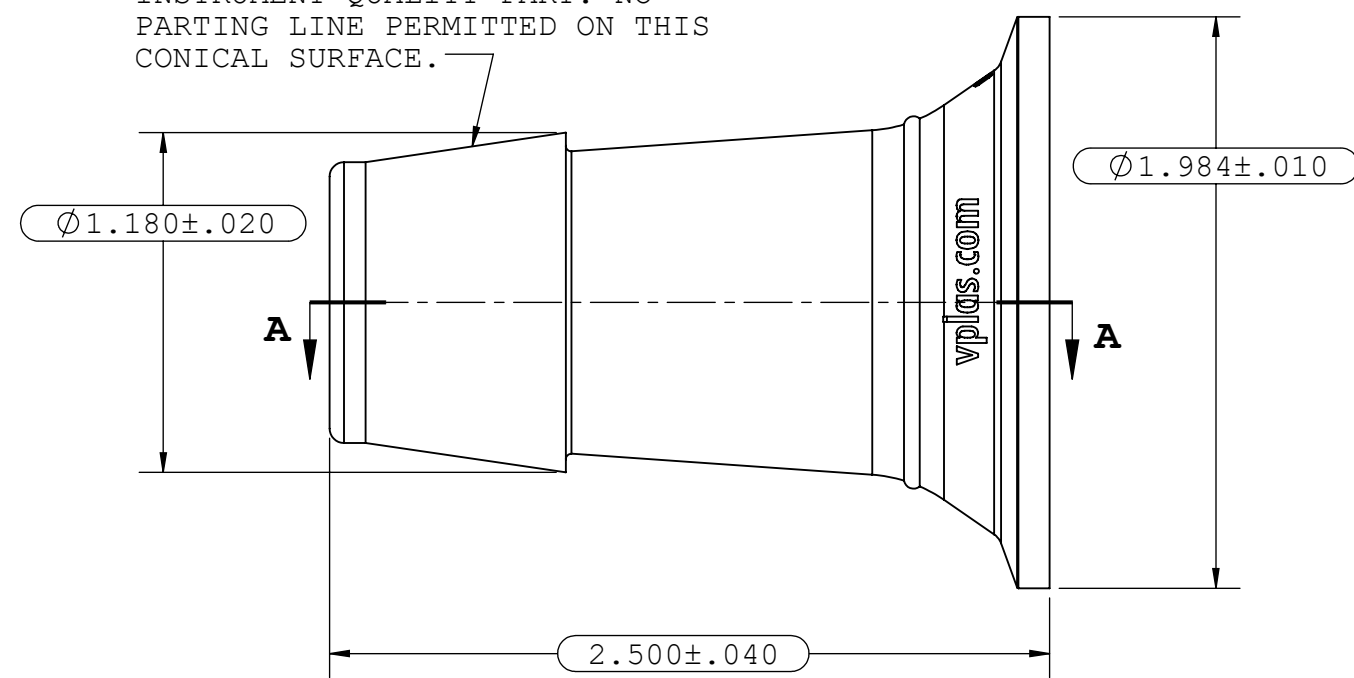


REVISIONS			
REV.	DESCRIPTION	DATE	APPROVED
A	INITIAL RELEASE	01-12-09	S.N.R
B	MODIFIED TOLERANCE PER ECO 112	02-23-09	S.N.R
C	ECO 261	10-2-13	S.N.R
D	ECO 313	03-08-17	FJL
E	ECO 1264662	09-24-21	FJL



2X OPTIONAL GATING FEATURE

INSTRUMENT QUALITY PART. NO PARTING LINE PERMITTED ON THIS CONICAL SURFACE.



- NOTES:
- FOR ADDITIONAL DETAILS, PLEASE CONTACT VP PRODUCT DEVELOPMENT
 - DIMENSIONS MARKED (---) ARE CONTROL DIMENSIONS
 - ALL EXTERIOR SURFACES HAVE A MAXIMUM OF 20 Ra MICROINCH SURFACE FINISH
 - ALL INTERIOR SURFACES HAVE A MAXIMUM OF 15 Ra MICROINCH SURFACE FINISH
 - VALUE PLASTICS SFMX SERIES FERRULES ARE DESIGNED TO COMPLY WITH ASME BPE-2014 TABLE DT-7-1 HYGIENIC CLAMP FERRULE STANDARD DIMENSIONS & TOLERANCES; DT-9.3-1 HYGIENIC CLAMP FERRULE: DESIGN CRITERIA. REF PM-4.6.1.2. PERFORMANCE NOTE.
 - ALL INTERIOR AND EXTERIOR SURFACE FINISHES COMPLY WITH ASME BPE-2016 TABLE SF-3.4-1 SFP2 Ra Readings for Polymeric Product Contact Surfaces

UNLESS OTHERWISE SPECIFIED DIMENSIONS ARE IN INCHES TOLERANCES ARE:		VALUE PLASTICS, INC				
FRACTIONS	DECIMAL					ANGULAR
±	.XX ±.01	± 1°	DESCRIPTION:	Sanitary Fitting, Maxi Flange to 600 Series Barb, 1" (25.4 mm) Tubing ID		
	.XXX ±.005		SIZE:	B		
	.XXXX ±.001		SCALE:	NTS		
DO NOT SCALE DRAWING			VER:			
DRAWN BY:	DATE:	SIZE:	SCALE:	VER:	DWG. NO.	REV
Pete L.	9/24/2021	B	NTS		1013883	E
NEW PRODUCT DEVELOPMENT MGR:			© 2008 VALUE PLASTICS, INC		SHEET: 1 OF 1	
R. Narayanan						

FOR REFERENCE ONLY